

Low Suction Pump for clean and domestic waste water

Chromatic C240W Flat

Application

Pump for pumping clean or lightly soiled water. For low level suction down to a residual water level of approx. 2 mm. Cellar draining, keeping trenches, shafts and rooms dry. Domestic waste water disposal in cellar rooms (e.g. washbasin, shower, washing machine). Draining of reservoirs. Emergency pump for flooding. A cooling jacket with discharge connector at the top ensures sufficient motor cooling at low water level (sip operation).

Installation: Stationary or mobile.

Conveying medium: Clean water or effluent with solid content up to 3 mm grain size. Max. temperature of conveying medium: 35°C, briefly up to 60°C.

Operating mode: Continuous operation (S1), at medium temperature 36 - 60°C: Intermittent operation (S3 30%).

Construction

Fully submersible pump, consisting of:

Pump: Single stage centrifugal pump with vertical pressure connection.

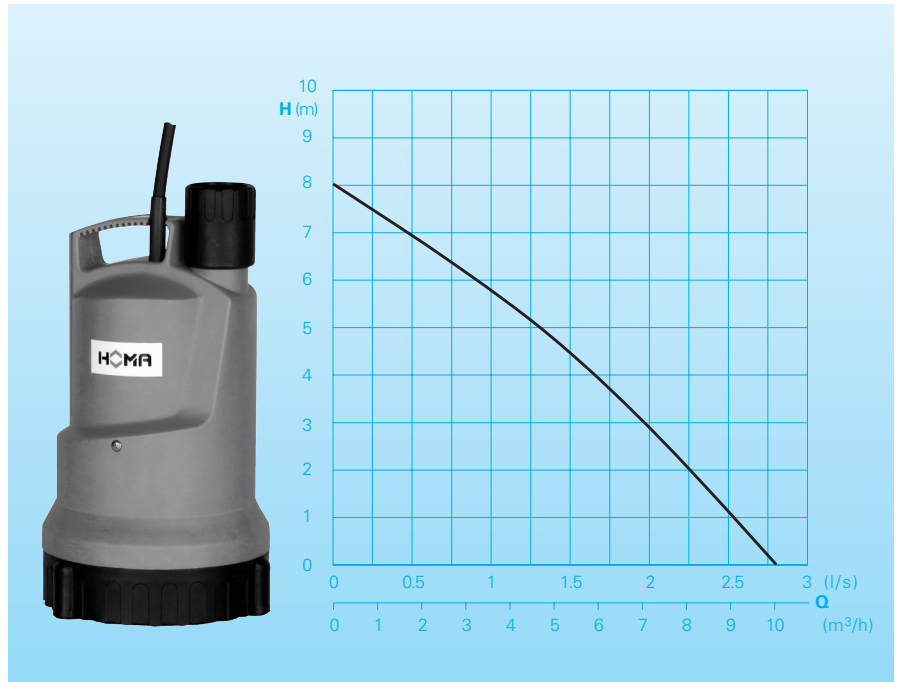
Impeller: Open multi-channel impeller, spherical clearance 3 mm.

Motor: Pressure watertight, medium-immersed motor. Stainless steel motor housing. Insulation class B, protection type IPX8. Thermal sensor for temperature monitoring in the winding. Connection Cable: H07RN8-F 3G1.

Shaft/bearing: Generously-proportioned chromium steel motor shaft, permanently-lubricated roller bearing.

Seal: Shaft seal with triple radial shaft seal and ceramic-coated sealing surface.

Conveying capacity



Technical Data

Pump type	Motor power		Voltage 50 Hz (V)	Rated current (A)	Weight (kg)
	P ₁ (kW)	P ₂ (kW)			
C240 W Flat	0,50	0,25	230/1Ph	2,2	5,0

Speed: 2850 rpm

Pressure connection: G1¼

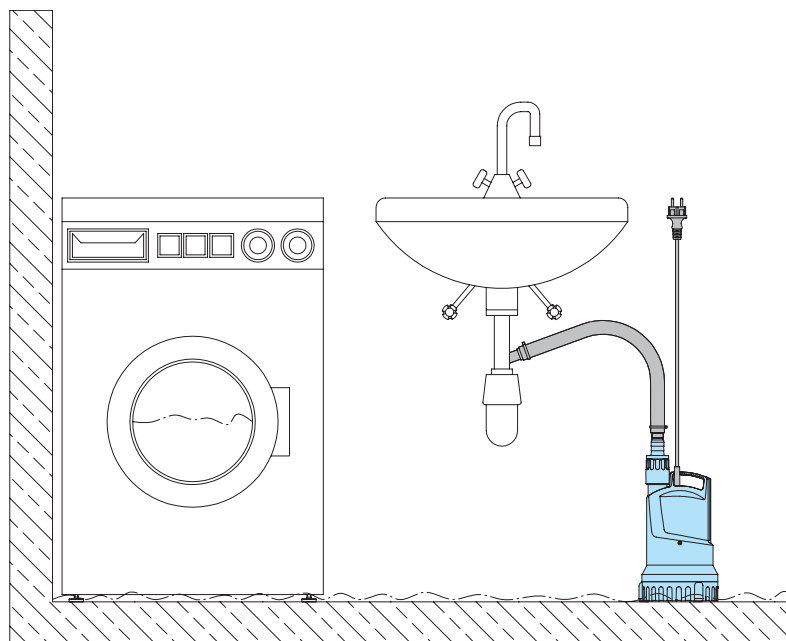
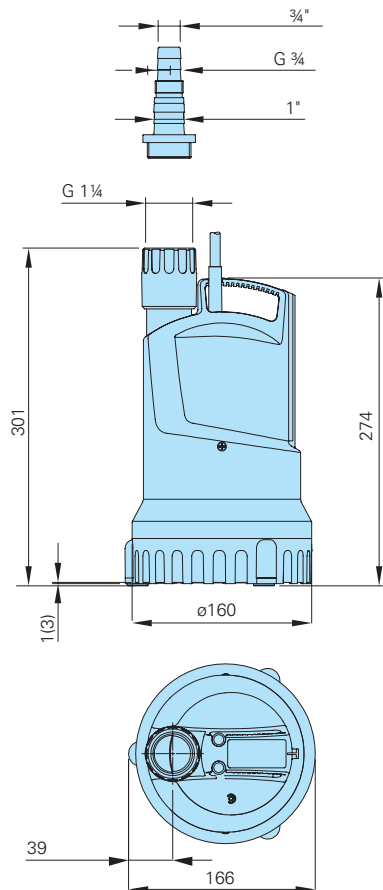
Materials

Motor housing, motor shaft, screws	Stainless steel
Strainer, outer housing, impeller, pressurised lid	Impact-resistant plastic
Elastomers	NBR

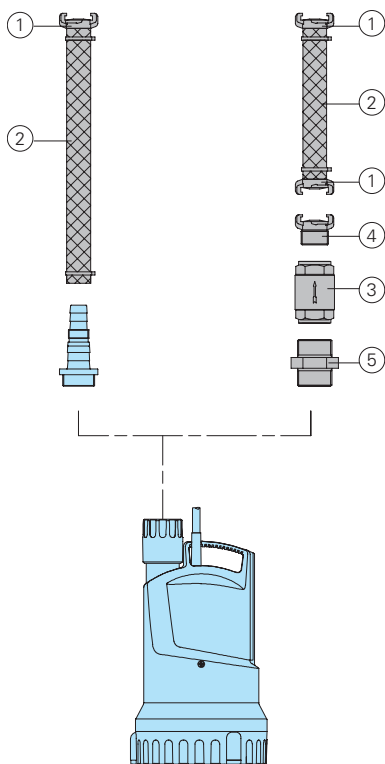
Scope of Supply

Pump with twin box G 1¼ inc. washers and hose connection, 10 m connection cable and mains plug.

Dimensions and Installation Example (all dimensions in mm)



Accessories



Description	Size	Part No.
① Hose coupling, brass	1" / 3/4"	2003313 / 2003213
② PVC hose, per m	1" Ø 25 mm / 3/4" Ø 19 mm	2621000 / 2620700
Plastic spiral hose, per m	1" Ø 25 mm / 3/4" Ø 19 mm	2632025 / 2632019
Hose clip	3/4" - 1"	2302330
③ Non-return valve, brass	BSP1 1/4"	2009027
④ Rigid coupling, brass	BSP1 1/4"	2005413
⑤ Double nipple, brass	BSP1 1/4"	2009019
○ Residual current device, 2-pin, Fi 16/0.03		1561160



HOMA Pumpenfabrik GmbH
 P.O.Box 22 63, D-53814 Neunk.-Seelscheid
 Tel. +49 (0) 22 47/702-0, Fax +49 (0) 22 47/702-44
 e-mail: info@homa-pumpen.de
 www.homapumps.com