



Spare Parts List

ipc Div.SOTECO

Ref: ASDO13390

Cust.Ref: 7020615

Model: VACUUM CLEANER NEVADA 515/41 MONO TC C/A

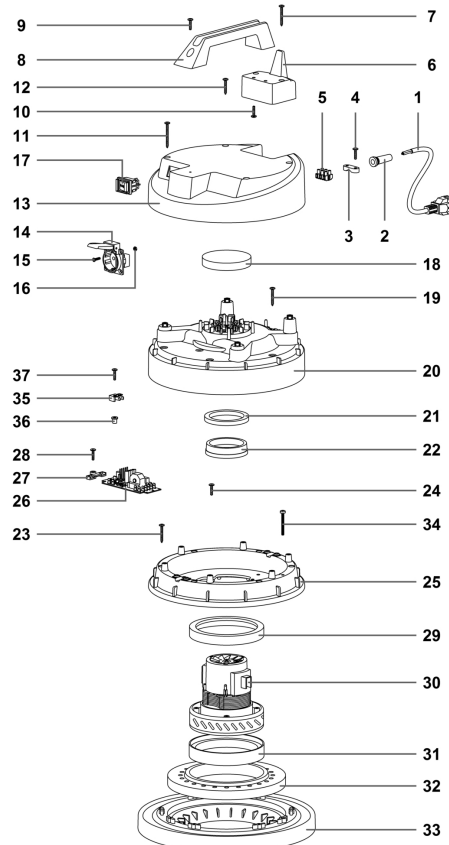
Cust.Model: ESTIC PLUS 515 RC



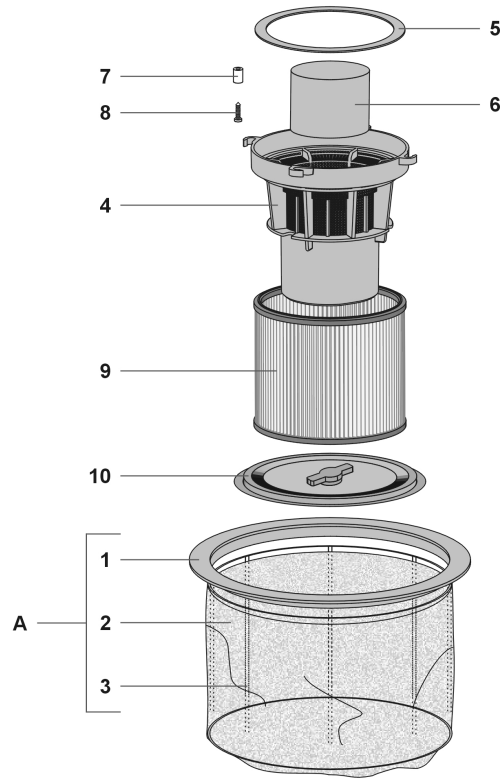
IPC Integrated Professional Cleaning

IPC Soteco

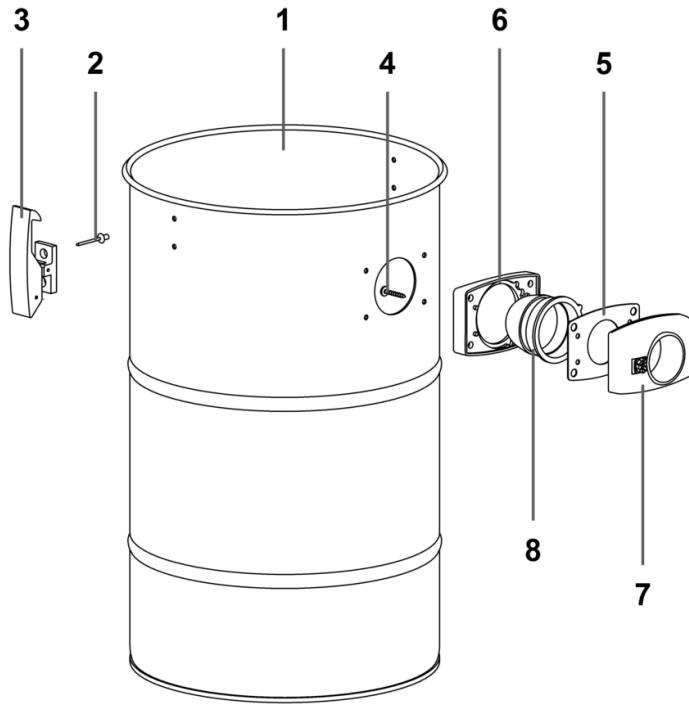
Ref. K	Part N.	Customer Part N.	Description	Quantity	Validity		Price
					From	To	
0001	PMTA08833		HEAD NEVADA 515 MONO G5/AZ	1,00			--
0002	KTRI03138		FILTERING KIT 500 W/CART.H=164 C/2995	1,00			--
0003	LAFN11264		TANK 500/41W AISI 430 COMP.	1,00			--
0004	CARR01578		TROLLEY 200/500 SQUARE BLACK	1,00			--



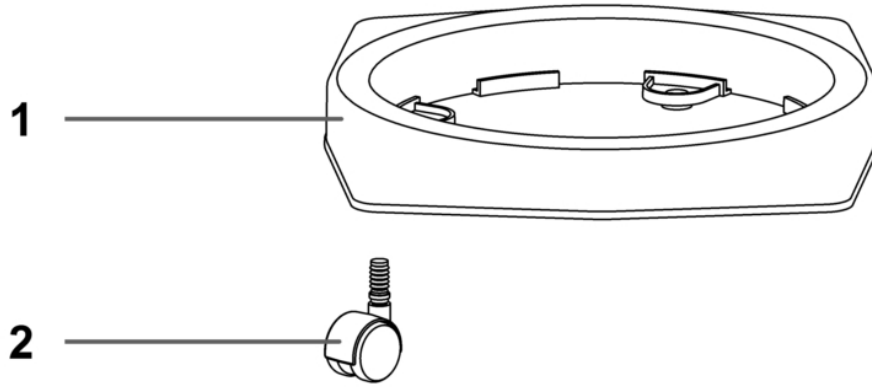
Ref. K	Part N.	Customer Part N.	Description	Quantity	Validity		Price
					From	To	
*	MECB01675		CONN.WIRE M.400-G/V-FF-SP9-S1,5	2,00			--
*	MECB01671		CONN.WIRE M.200-G/V-FF-5,2-S1,5	1,00			--
*	MEVR02225		FASTON COVER FOR ART.01103/C	2,00			--
*	FSVR00127		CLAMP	3,00			--
*	MECB01820		MOTOR WIRING 40CM	1,00			--
0001	MECB28740		ELECTRIC CORD 3X1,5 MT 8,5	1,00			--
0002	MEVR28673		FAIRLEAD	1,00			--
0003	MPVR28690		CABLE CLAMP	1,00			--
0004	VTVT71961		SCREW PFU TMT PHL 5X20 BLACK	2,00			--
0005	MECB01772		TERMINAL BOARD 300-500 3P 4/C RAD	1,00			--
0006	MPVR09233		HOOK P/CABLE NEV.200 GR.5000	1,00			--
0007	VTVT72106		SCREW PAT TMT PHL 5X40 BLACK	2,00			--
0008	MPVR09215		HANDLE NEVADA 200 GREY 5000	1,00			--
0009	VTVT71961		SCREW PFU TMT PHL 5X20 BLACK	1,00			--
0010	VTVT71961		SCREW PFU TMT PHL 5X20 BLACK	2,00			--
0011	VTVT32295		SCREW PAT TMT PHL 5X50	2,00			--
0012	VTVT71966		SCREW PAT TMT PHL 5X30 BLACK	2,00			--
0013	PMVR05666		COVER NEV.200 X SCHUKO AZZURRO	1,00			--
0014	MEVR38061		SCHUKO ADD.SOCKET W/PROTECTION	1,00			--
0015	VTVT01184		SCREW TSP CROSS M 4X16 UNI 7688	4,00			--
0016	VTDD00232		NUT M 4 UNI 5588	4,00			--
0017	MECI38052		COMMUTATOR ANTISPLASH	1,00			--
0018	FTDP38064		FILTER MTP/65 H=15 D.95	1,00			--
0019	VTVT71971		SCREW PAT TMT PHL 5X35 BLACK	6,00			--
0020	MPVR09120		COVERING 99 S/HOLES GREY 5000	1,00			--
0021	MPVR38371		WASHER H8 D85X65	1,00			--
0022	MPVR34370		RING MOTORE H=13 (20) PLAST.	1,00			--
0023	VTVT71971		SCREW PAT TMT PHL 5X35 BLACK	6,00			--
0024	VTVT71961		SCREW PFU TMT PHL 5X20 BLACK	4,00			--
0025	MPVR08405		MOTOR FASTENER 500 LIGHT BLUE	1,00			--
0026	MECE00675		ELECTRONIC CARD TLC 2015	1,00	14/10/2016		--
0027	LAFN87310		CARD BLOCK BRACKET	2,00			--
0028	VTVT71961		SCREW PFU TMT PHL 5X20 BLACK	2,00			--
0029	GUGO28683		"L" GASKET W/O HOLES H=5,5	1,00			--
0030	MOMO89283		MOT.BS252 1000W 220-240 50/60 MONO	1,00			--
0031	GUVR00397		"L" GASKET S/F H=16	1,00			--
0032	FTDP38067		WASHER MTP 65MM 18D 230X145	1,00			--
0033	PMBA00269		BASE 500 MONO.C/GUA+PIA.G5	1,00			--
0034	VTVT01272		SCREW TC CROSS M 5X45 UNI 7687	1,00			--
0035	MEVR02242		CLAMP W/FASTON	1,00			--
0036	MPVR35796		PLASTIC SLEEVE D.8	1,00			--
0037	VTVT71961		SCREW PFU TMT PHL 5X20 BLACK	1,00			--



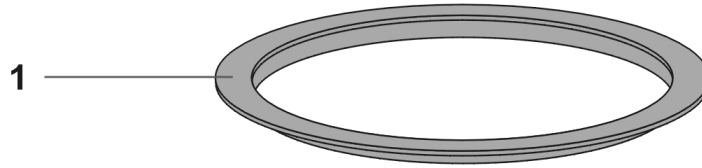
Ref. K	Part N.	Customer Part N.	Description	Quantity	Validity		Price
					From	To	
A	KTRI03005		RINGS KIT 500+FIL.POLY SAN+CEST.99	1,00			--
0001	MPVR36522		FILTER RING 500	1,00			--
0002	FTDP00474		FILTER TES POLY AN3-500 CYL REG	1,00			--
0003	MPVR37175		BASKET 99	1,00			--
0004	MPVR40521		NET ANTIFOAM BODY HIGH	1,00			--
0005	GUVR40078		GASKET H3 DS50 W/ANTIFOAM BODY	1,00			--
0006	RCGR40008		HIGH FLOAT 99 W/GASKET 37 SHA	1,00			--
0007	MPVR35796		PLASTIC SLEEVE D.8	4,00			--
0008	VTVT36751		SCREW PAT TMT PHL 5X25	4,00			--
0009	FTDP28844		HEPA CARTRIDGE H=163	1,00			--
0010	MPVR28723		COMPL.RING FOR FILTER	1,00			--



Ref. K	Part N.	Customer Part N.	Description	Quantity	Validity		Price
					From	To	
0001	LAFN06644		TANK 500/41 AISI 430	1,00			--
0002	VTVR71991		RIVET 5X11	4,00			--
0003	PMVR02868		COMPL.PLAST.HOOK GREY 5000	2,00			--
0004	VTVT71966		SCREW PAT TMT PHL 5X30 BLACK	4,00			--
0005	GUGO28701		GASKET D.38	1,00			--
0006	MPVR08679		GASKET R 205 GREY 5000	1,00			--
0007	MPVR08981		PIPE UNION R155 G5000 W/PUL.LB	1,00			--
0008	MPVR28696		DEFLECTOR 99	1,00			--



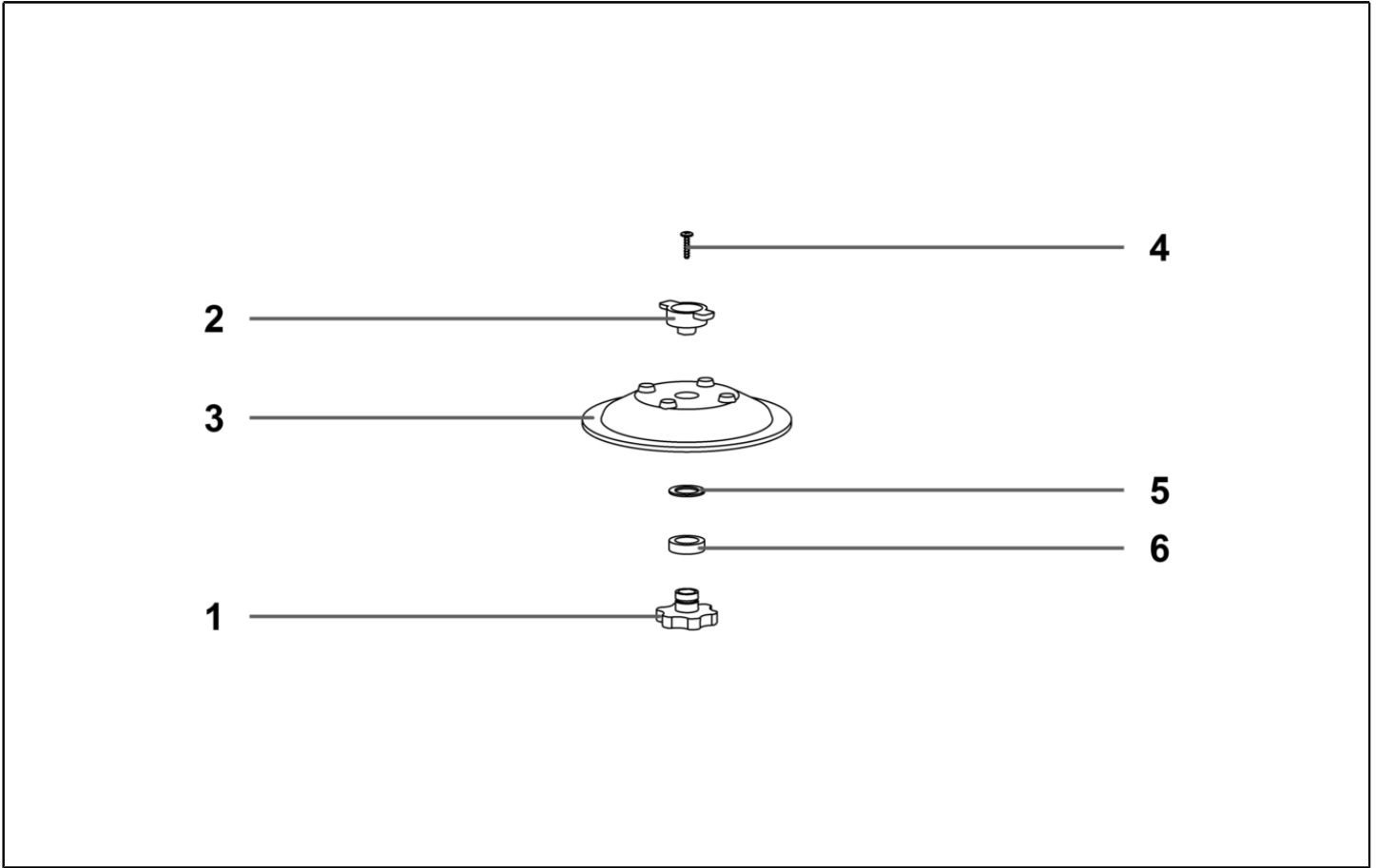
Ref. K	Part N.	Customer Part N.	Description	Quantity	Validity		Price
					From	To	
0001	MPVR07925		TROLLEY BODY SQUARED BLACK	1,00			--
0002	RTRT42006		TROLLEY BOX WHEEL	4,00			--



Ref. K	Part N.	Customer Part N.	Description	Quantity	Validity		Price
					From	To	
0001	MPVR36522		FILTER RING 500	1,00			--
0001	MPVR36522		FILTER RING 500	1,00			--



Ref. K	Part N.	Customer Part N.	Description	Quantity	Validity		Price
					From	To	
0001	GUVR40078		GASKET H3 DS50 W/ANTIFOAM BODY	1,00			--
0001	GUVR40078		GASKET H3 DS50 W/ANTIFOAM BODY	1,00			--



Ref. K	Part N.	Customer Part N.	Description	Quantity	Validity		Price
					From	To	
0001	MPVR07254		KNOB RAPID ATTACK	1,00			--
0002	MPVR07253		HOOKING RAPID ATTACK	1,00			--
0003	MPVR06630		DISC FILTER SUPPORT	1,00			--
0004	VTVT71961		SCREW PFU TMT PHL 5X20 BLACK	1,00			--
0005	VTRS00418		WASHER P.P. 30X20X1,5	1,00			--
0006	VTRS00419		WASHER SPONGE RUBBER 30X20X8	1,00			--